

PRESSURE AND TEMPERATURE RECORDER APT - APM SERIES

GENERAL DESCRIPTION

These instruments are designed for cyclical process records or process controls in the petrochemical industry.

These series are studied for withstanding to the most adverse process conditions due to the aggressiveness of the measured fluid and to the environment.

They are also used for pressure and temperature tests in gas pipelines and aqueducts.

Simultaneous records up to 3 pens.



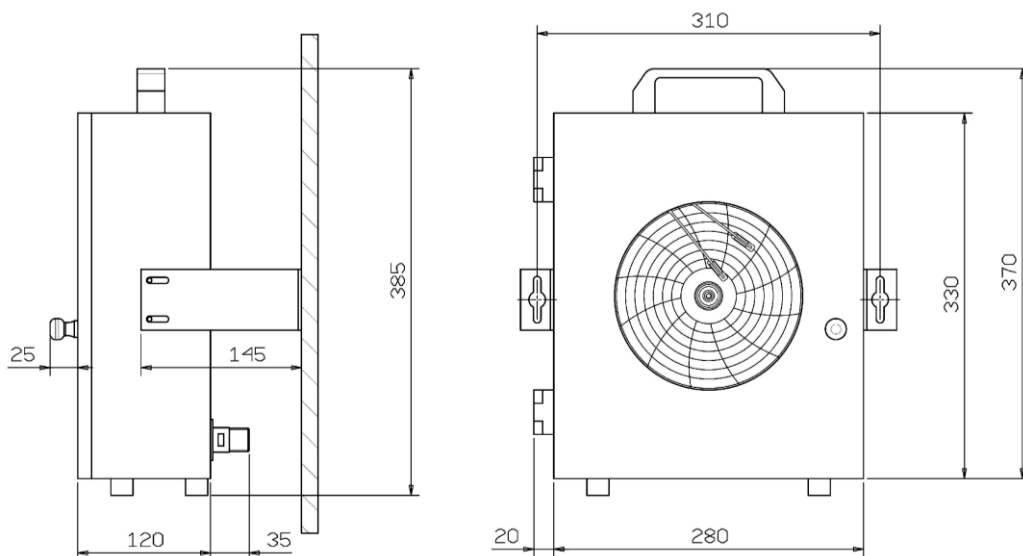
di Gemini G. e Gozzini Obizio snc

Via Ca' Treviglio n° 1/3 24040 Pontirolo Nuovo (Italy) Tel. 0363 880123 Fax. 0363 881133

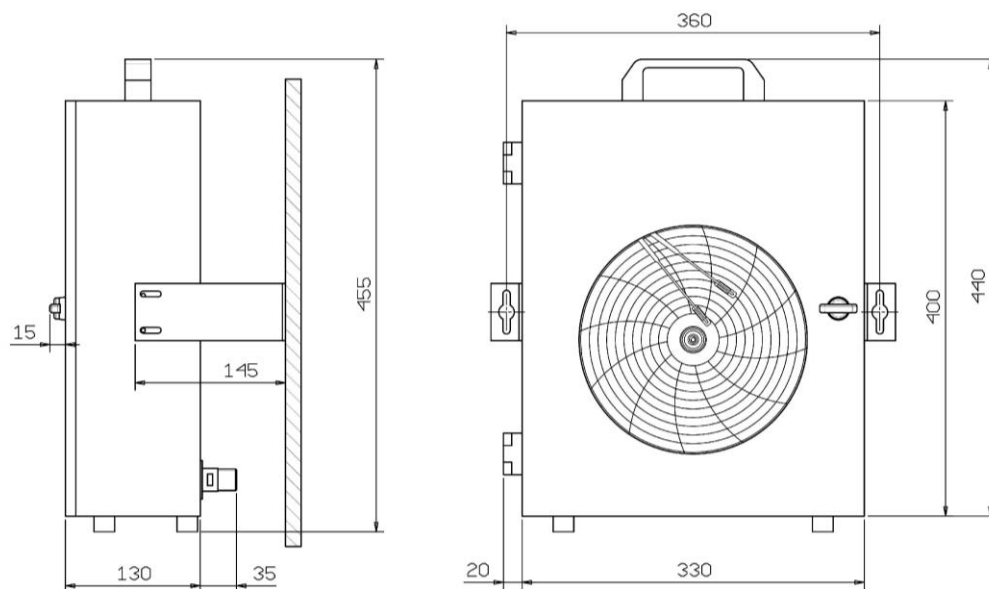
Sito internet: www.termaf.it e-mail: info@termaf.it

DIMENSIONS

RECORDER APT/ 200 disc Ø 200 mm



RECORDER APT/ 250 disc Ø 254 mm



All dimensions in mm

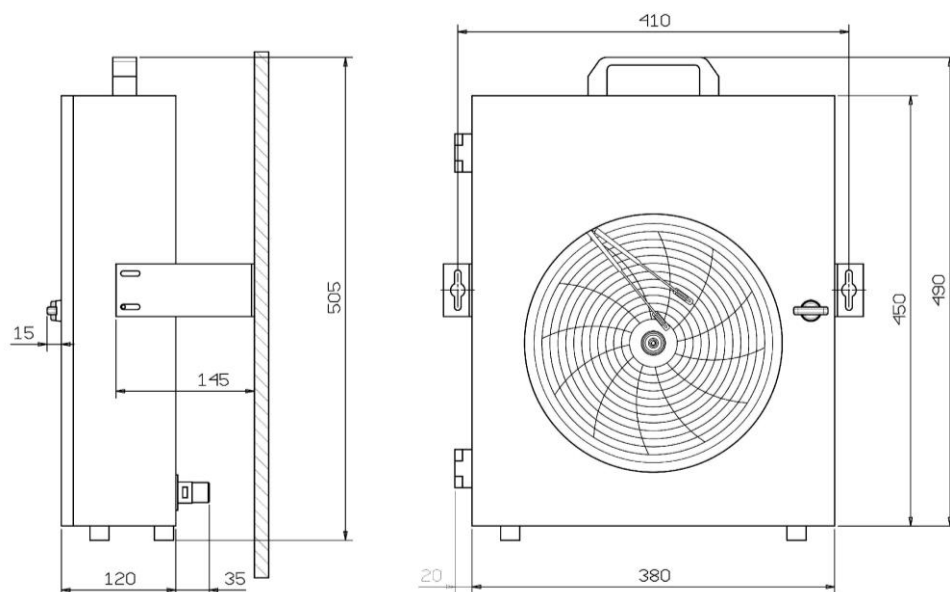


di Gemini G. e Gozzini Obizio snc

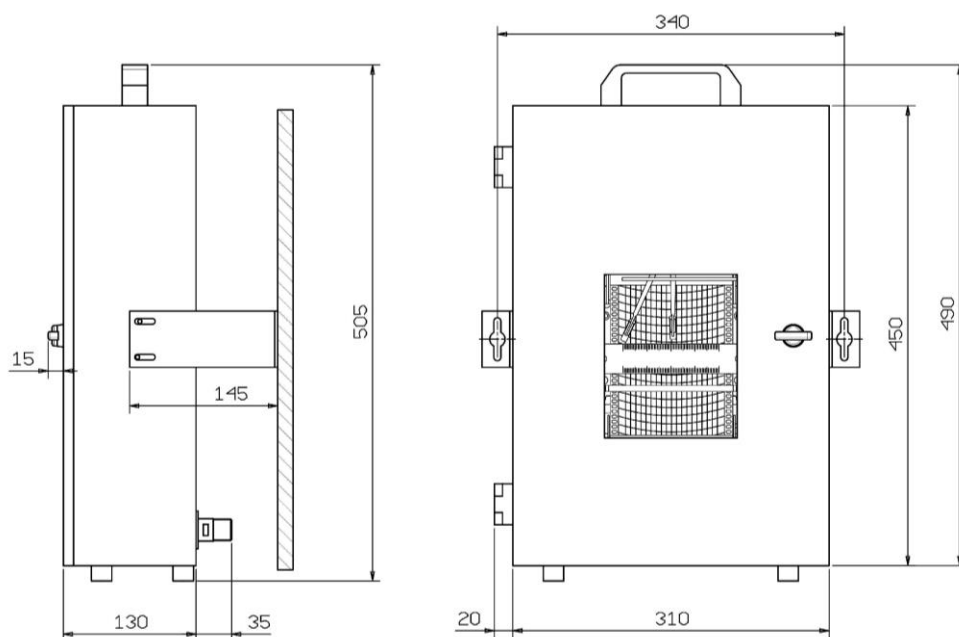
Via Ca' Treviglio n° 1/3 24040 Pontirolo Nuovo (Italy) Tel. 0363 880123 Fax. 0363 881133

Sito internet: www.termaf.it e-mail: info@termaf.it

RECORDER APT/ 300 disc Ø 300 mm



RECORDER APT/ M roll 100 mm - 40 m length



All dimensions in mm



di Gemini G. e Gozzini Obizio snc

Via Ca' Treviglio n° 1/3 24040 Pontirolo Nuovo (Italy) Tel. 0363 880123 Fax. 0363 881133

Sito internet: www.termaf.it e-mail: info@termaf.it

CONSTRUCTION FEATURES

TEMPERATURE

Measure element: Bourdon spring thermally treated

Capillary Type: AISI 316 st.st., availability of protective coating AISI 304 st.st.

Bulb: 316 st.st. Ø std. 11 mm; sensing element 100 mm

Connections: Compression gland 1/2 BSP M. AISI 316 st.st., sliding on the capillary, available 1/2 NPT on request

PRESSURE

Measure element: Bourdon spring AISI 316 st.st. or phosphor bronze bellows

Pressure scale: Pressure scales available from 60 mBar up to 1600 Bar, available scales in PSI

Process connection: bottom or back 1/2 BSP M., available NPT - 1/2 BSP F connection.

Wetted parts in AISI 316 st.st.

TECHNICAL SPECIFICATION

Pressure accuracy: +/- 1% of the full-scale value

Temperature accuracy: Cl.1 according to EN13190

Ambient Temperature: -20°C + 50°C

Clockwork for circular chart recorder: Spring-loaded mechanical, single or double speedy, battery with quartz movement. Available also electric

Chart for circular chart recorder: Disc of 200 mm (8 ") - 254 mm (10') - 300 mm (12') with linear decisions compatible with the most Italian producers

Clockwork for roll chart recorder: Spring-loaded mechanical, electric and battery. Available also in ATEX version

Chart for roll chart recorder: Chart speed 20 mm/h or 2 mm/h, linear scale, chart reading 100 mm.

Window: Plexiglass 3 mm thickness



di Gemini G. e Gozzini Obizio snc

Via Ca' Treviglio n° 1/3 24040 Pontirolo Nuovo (Italy) Tel. 0363 880123 Fax. 0363 881133

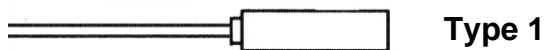
Sito internet: www.termaf.it e-mail: info@termaf.it

Writing System: Synthetic fiber pen ink-filled easy to replace, autonomous writing of 150 m

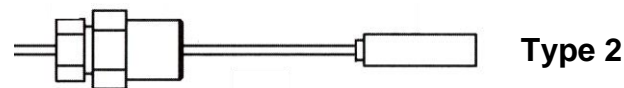
Case: AISI 304 st.st., high weatherproof and industrial smokes-resistant equipped with feet and handles to facilitate the transport. Lock key on request (not available for APT/200).

Mounting: Table mounting with back connection, flush mounting to wall with brackets included. Available bottom connection on request.

BULB TYPES



Bare bulb fitted directly to the process.



Bulb with compression connection sliding on the capillary.



Bulb with compression connection sliding on the rigid shank

It's necessary a thermowell connection to the systems with pressures exceeding 20 BAR.



di Gemini G. e Gozzini Obizio snc

Via Ca' Treviglio n° 1/3 24040 Pontirolo Nuovo (Italy) Tel. 0363 880123 Fax. 0363 881133

Sito internet: www.termaf.it e-mail: info@termaf.it

AVAILABLE CLOCKWORK

APT 200-250-300 SERIES	APT/M SERIES
Battery 7 days (168 h)	Mechanical 20 mm/h charge 8 days
Battery 24 hours	Mechanical 20 mm/h charge 30 days
Mechanical 31 days (744 h)	Mechanical 2 mm/h charge 8 days
Mechanical 7 days (168 h)	Mechanical 10 mm/h charge 8 days
Mechanical 48 h	Battery 1.5 Volt 20 mm/h
Mechanical 24 h	Battery 1.5 Volt 2 mm/h
Mechanical 12 h	Battery 1.5 Volt 20 mm/h ATEX version
Mechanical 6 h	Battery 1.5 Volt 2 mm/h ATEX version
Mechanical 2 h	Electric 24 Volt 50Hz 20 mm/h
Mechanical 1 h	Electric 24 Volt 50Hz 2 mm/h
Mechanical 2 h - 8 h	
Mechanical 24 h - 168 h	
Electric 24 Volt 24 h	
Electric 24 Volt 168 h	

STANDARD RANGE SCALES RECORDERS

BAR			
0-1	0-10	0-100	0-600
0-1,6	0-16	0-160	0-1000
0-2,5	0-25	0-250	0-1600
0-4	0-40	0-300	
0-6	0-60	0-400	

Mbar			
0-60	0-160	0-400	0-1000
0-100	0-250	0-600	

PSI			
0-60	0-400	0-1600	0-6000
0-100	0-500	0-2000	0-10000
0-200	0-600	0-3000	0-15000
0-300	0-1000	0-5000	

TEMPERATURE °C			
-50+50	0+60	0+160	0+300
-40+40	0+100	0-200	0+400
-30+30	0+120	0+250	0+600

TEMPERATURE - BAR		
0-60 / 0-100	0-100 / 0-500	-10+40 / 0-100
0-60 / 0-600	0-100 / 0-600	-20+40 / 0-600
0-100 / 0-40	0-100 / 0+1000	-10+50 / 0-600
0-100 / 0-200	-20+40 / 0+40	-10+50 / 0-400
0-100 / 0-250	-20+40 / 0-300	-20+60 / 0-160
0-100 / 0-300	-20+40 / 0-600	

TEMPERATURE - PSI		
0-60 / 0-100	0-100 / 0-1000	-20+40 / 0+600
0-60 / 0-600	0-100 / 0-3000	-20+40 / 0-10000
0-100 / 0-40	0-100 / 0-5000	-10+50 / 0-600
0-100 / 0-200	0-100 / 0-8000	-10+50 / 0+400
0-100 / 0-250	0-100 / 0-10000	-20+300 / 0-500
0-100 / 0-300	0-100 / 0-15000	-20+300 / 0-3000
0-100 / 0-500	-20+40 / 0+40	-20+300 / 0-6000
0-100 / 0-600	-20+40 / 0+300	

TEMPERATURE - Mbar		
-10+40 / 0-160	-10+40 / 0-250	-20+60 / 0+160
-10+40 / 0-400	-20+40 / 0-600	



di Gemini G. e Gozzini Obizio snc

Via Ca' Treviglio n° 1/3 24040 Pontirolo Nuovo (Italy) Tel. 0363 880123 Fax. 0363 881133

Sito internet: www.termaf.it e-mail: info@termaf.it