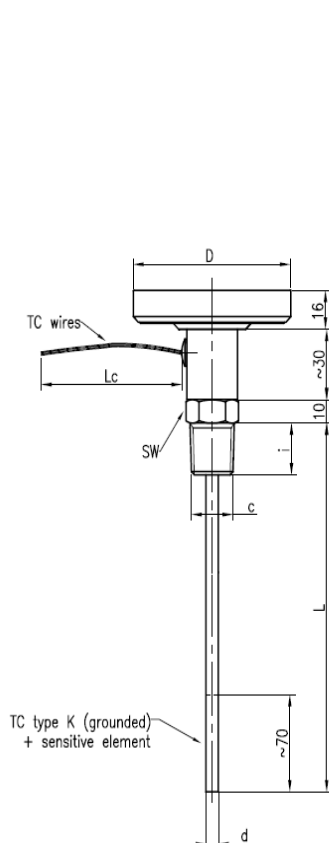


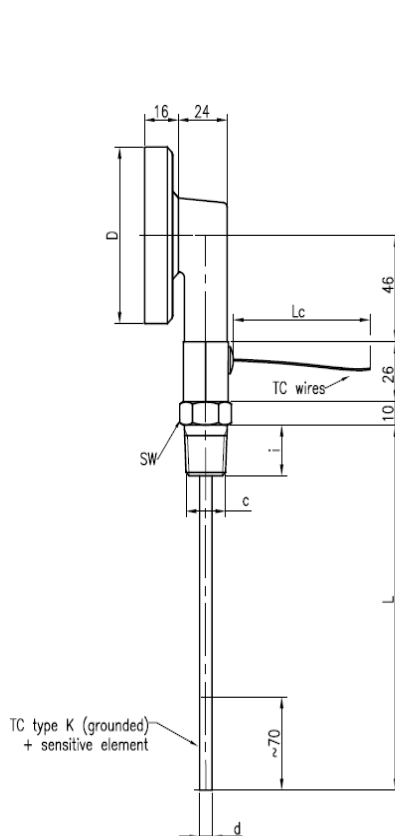
**Combined temperature measurement instruments.
Bimetallic industrial thermometers with thermocouple.**

Type **TH1-TC**

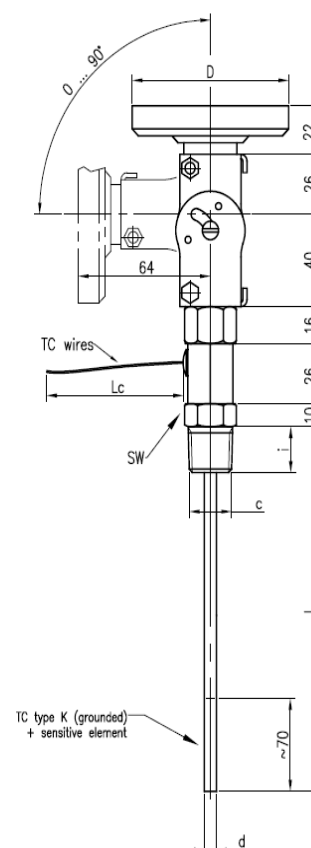
Horizontal



Vertical



Every angle



Applications

- General industry.
- Chemical & petrochemical industries.
- Pharmaceutical industry.
- Hydraulics.
- Heating & cooling systems.
- Food.

TH1-TC description

The TH1-TC combines a bimetallic thermometer and one or two thermocouples in a standard tube diameters 6, 8 or 9 mm.

The TH1-TC can substitute any existing thermometer or sensor without modification of the thermowell and without additional cost.

Advantages

- The TH1-TC combines a local reading indicator with a remote reading.
- 2 independent sensors in 1 measuring point.
- One single thermowell.
- Less installation cost.

Material

- Case, stem and connector in stainless steel.

Possible executions

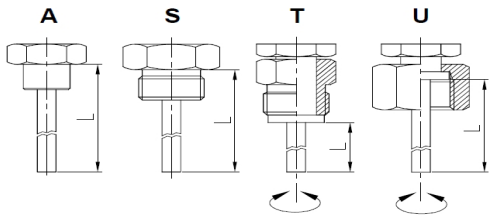
- Scale: °F, °C, double scale °F/°C.
- Case diameter: 80, 100, 130, 150 mm.
- Degree of protection \geq IP65.
- Execution: Horizontal, Vertical, Every angle.
- Connection: A, S, T, U.

A (with unthreaded shoulder) :
 $\varnothing 15 \times 10$ mm

S (fixed threaded) :
G1/2", G3/4", M20x1.5, 1/2" NPT, 3/4" NPT.

T (swivelling threaded) :
G1/2", M18x1.5, M20x1.5.

U (swivelling cap) :
G1/2", G3/4", M24x1.5, M27x2.



- Tube diameter:
6, 6.35, 8, 9 mm (in AISI 304 or AISI 316)
- Sensitive length:
Approx. 50 mm from tip.
- Minimum length:
L = 90 mm
- Maximum length:
- L = 650 mm for $\varnothing 6$ and $\varnothing 6.35$ mm.
- L = 2000 mm for $\varnothing 8$ and $\varnothing 9$ mm.

Option

- Rotating and sliding connection:
AMX (male), AMU (female).
- Glass:
Mineral glass (std), safety glass, acrylic glass, window with index pointer.
- Measuring system dampened by silicon grease for protection against vibrations C2.

Thermocouple

- Cable length Lc: 1 m.
- Wires not stripped (connector in option).
- Thermocouple:
Type K grounded or insulated (other on request).
- Cable material:
PFA (maximum temperature 250°C).

Accuracy

- Bimetallic Thermometer:
Class 1, according EN 13190.
- Thermocouple:
Special ANSI MC 96.1.
Class 1, IEC 60584-2 / EN 60584-2.

Range

- The TH1-TC has a temperature span from
-70°C to +250°C, -100°F to + 500°F
(other on request).

*Modifications reserved,
All technical data serves as a guideline
and does not guarantee particular
properties to any products.*

RÜEGER

AN **ASHCROFT** COMPANY



www.rueger.com www.instrugate.com

RÜEGER SA
Ch. de Mongevon 9
P.O.Box 98
1023 CRISSIER 1
SWITZERLAND

Ashcroft Instruments GmbH
Max-Planck-Strasse 1
52499 Baesweiler
GERMANY

Ashcroft Inc.
250 East Main Street
Stratford, CT 06614-5145
USA

Ashcroft Instruments (Suzhou) Co., LTD.
1508 Lin-Hu Ave.
Fen-Hu Economic Development Zone
Wujiang, Jiangsu Province, China 215211

Tel + 41 (0)21 637 32 32
Fax + 41 (0)21 637 32 00
E-mail info@rueger.com

Tel + 49 (0) 2401-808-0
Fax + 49 (0) 2401-808-125
E-mail sales@ashcroft.com

Tel +1 (203) 378 8281
Fax +1 (203) 385 0408
E-mail info@ashcroft.com

Tel + 86 512 6326 9101
Fax + 86 512 6326 9105
E-mail sales@ashcroft.com.cn