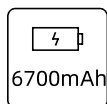




INMP61R-1 INMP61R-2

Industrial Rechargeable
LED Headtorch



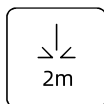
Lithium
Battery



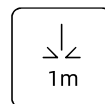
Waterproof
and Dustproof



Anti-
corrosion



Impact
Resistant
(INMP61R-1)

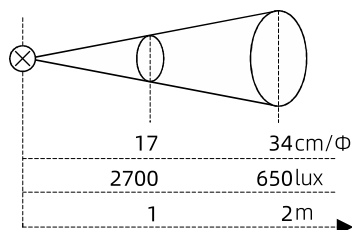


Impact
Resistant
(INMP61R-2)



Description

- Widely used for inspection, emergency repair and construction emergency lighting etc. in industrial area and professional industry.
- The body is made of high performance nylon. It features as lightweight, anti-aging, anti-corrosion, impact-resistant and easy to carry.
- Professional optical lens design, soft illumination, uniform spot, in line with GB 30734 fire protection standard.



Parameters

Certification:	CE	CE
Models:	INMP61R-1	INMP61R-2
Working ambient temp.:	-40°C≤Ta≤+55°C	-40°C≤Ta≤+55°C
Ingress protection:	IP66/67	IP66/67
CCT:	6500K	6500K
Luminous flux:	≥300lm (strong mode)	≥300lm (strong mode)
	≥140lm (work mode)	≥140lm (work mode)
	≥140lm (SOS mode)	≥140lm (SOS mode)
Run time:	≥9h (strong mode)	≥14h (strong mode)
	≥11h (work mode)	≥21h (work mode)
Beam distance:	≥104m (strong mode)	≥104m (strong mode)
	≥68m (work mode)	≥68m (work mode)
Battery type:	18650 lithium battery (IEC 61233, IEC 61960)	18650 lithium battery (IEC 61233, IEC 61960)
Battery capacity:	3.6V, 3350mAh	3.6V, 6700mAh
Charging way:	matched 1000/01-A61 charging base	matched 1000/01-A61 charging base
Charging time:	≤6.5h	≤9h
Recharging cycles:	500 cycles	500 cycles
Lifespan:	50,000h (without battery)	50,000h (without battery)

Note: The luminous flux and continuous discharge time are the values measured under the environment of -20°C≤Ta≤+55°C.

Features



Order specifications

Illustration	Description	Battery capacity	Weight (g)	Order No.
	Industrial Rechargeable LED Headtorch	3.6V, 3350mAh	159	INMP61R-1
		3.6V, 6700mAh	209	INMP61R-2
	Industrial Rechargeable LED Headtorch + Charging base + Adapter	3.6V, 3350mAh	330	INMP61R-1+A61-□-□
		3.6V, 6700mAh	380	INMP61R-2+A61-□-□

□ □ GB □ ○ EN □ □ BS □ □ ANSI □ □ AS □ □ JIS Code of plug
 Mounting accessories (see page 53 for details) Optional

Note: Users can choose type A integrated charging track rail and integrated charging stand. Please see pages 03-05 for details.

Installation diagram



Headband type



Helmet connecting type



Pocket clip type

Charging system

- INMP61R-1 and INMP61R-2 are equipped with a dedicated charging base to ensure safe use. The charging base has a charging indicator light, red means charging, green means fully charged.
- The charging base has 2 charging ports - AC 100-250V/0.5A and a matched integrated charging port at the bottom. Safe, simple and convenient.
- This product is suitable for type A integrated charging track rail.

AC 100-250V,
50/60Hz

Individual Charging

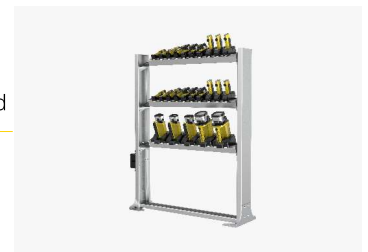


Type A Integrated

Charging Track Rail

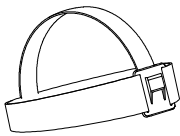
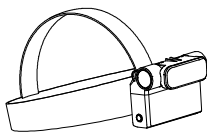
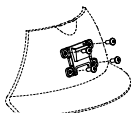
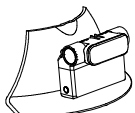


Integrated Charging Stand

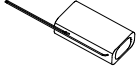
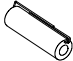
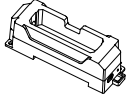
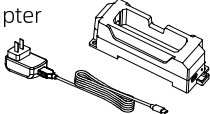






Note: For technical parameters of integrated charging track rail and integrated charging stand, please refer to pages 03-05.

Mounting accessories

Illustration	Description	Weight (g)	Order No.
		61	1000/11-02-03
		4	1000/11-01-04

Spare parts

Illustration	Description	Weight (g)	Order No.
Lithium battery pack 	3.6V, 6700mAh	100	1000/05-R61-2
	3.6V, 3350mAh	51	1000/05-R61-1
Charging base 	Input voltage/ current: DC 5.0V/2000mA	102	1000/01-A61
Charging base + Adapter 	Input voltage/ current: AC 100-250V/500mA Input voltage/ current: DC 5.0V/2000mA	173	1000/01-A61-□

 GB
  EN
  BS
  ANSI
  AS
  JIS
 Code of plug

Outline dimension (unit: mm)

